



BUD  
HANGING LAMP

by Brad Stebbing



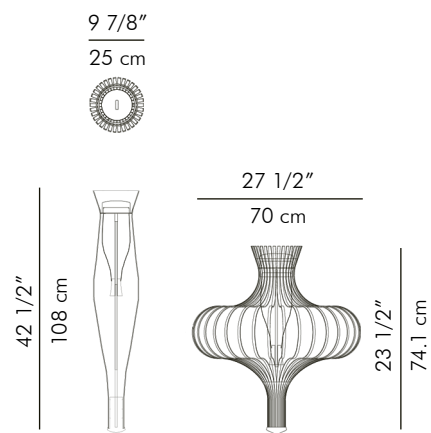


# BUD

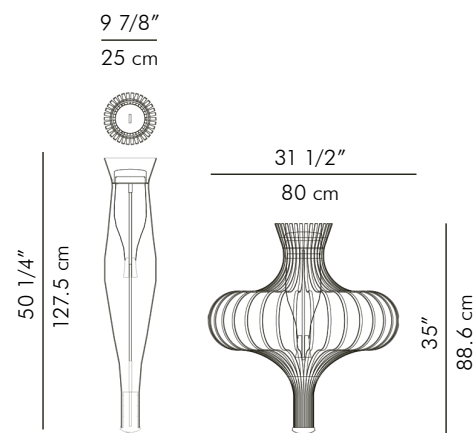
## HANGING LAMP

by Brad Stebbing

### Small



### Large



5.00 kg (11.02 lbs)



7.00 kg (15.43 lbs)



0.112 m<sup>3</sup>

2 x 11 watts

5.50 kg (12.13 lbs)

7.00 kg (15.43 lbs)

0.126 m<sup>3</sup>

2 x 11 watts

Surface mounted pre-wired lamp  
E26/E27  
100-240 V AC 50/60 Hz

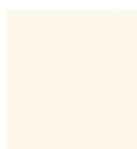
Polyethylene strips  
Powdercoated metal frame  
Adjustable metal rod  
Fiber reinforced polymer diffuser



Java



Platinum



Whitewash

