



# KNOTTEE

HANGING LAMP

by Kenneth Cobonpue



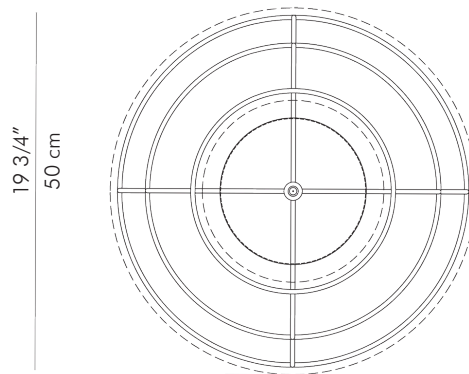
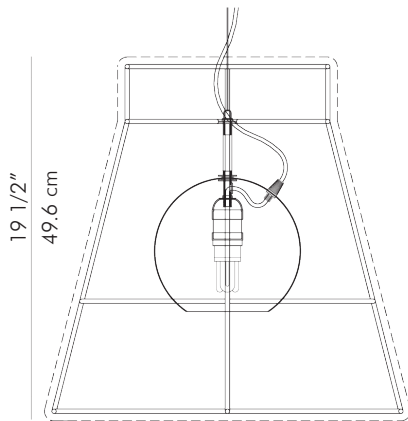


# KNOTTEE

## HANGING LAMP

by Kenneth Cobonpue

Large



3.50 kg (7.72 lbs)



5.50 kg (12.13 lbs)



0.15 m<sup>3</sup>

Surface mounted pre-wired lamp  
E26 / E27  
120V 60Hz / 230V 50Hz  
1 x 75 watts



Synthetic fabric on a cotton rope  
Frosted glass  
Powder coated metal frame



Gray and Dark blue



Gray and Olive Green



Gray and Dark Gray